

PREPARED BY

STEPHEN MICHAEL BRAIN, BRAIN ENGINEERING, INC., 1540 MIDLAND COURT NE, CEDAR RAPIDS, IOWA PH. (319) 294-9424

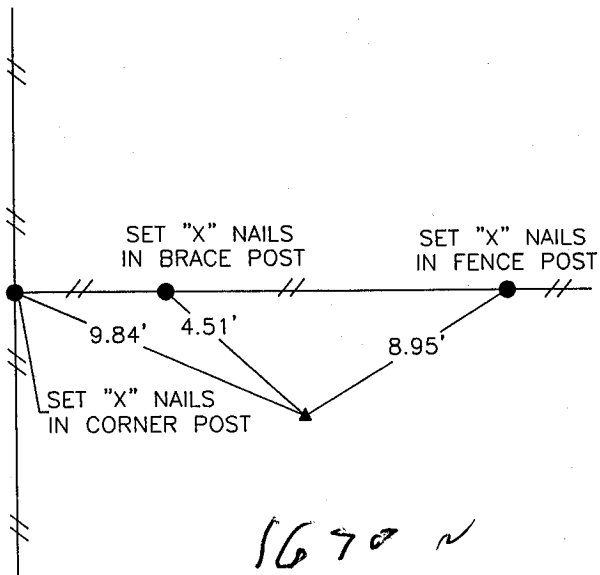
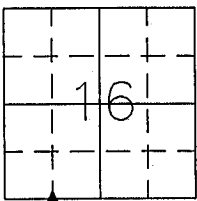
UNITED STATES PUBLIC LAND SURVEY CORNER CERTIFICATE

LAND SURVEY MONUMENTS SITUATED IN SECTION 16, TOWNSHIP 84 NORTH
RANGE 4 WEST OF THE 5TH P.M., JONES COUNTY, IOWA.

NO SCALE



SW CORNER
SE 1/4 SW 1/4



844216-110204-716

PREVIOUSLY RECORDED IN BOOK _____ PAGE _____

MONUMENT DESCRIPTION AND HOW ESTABLISHED _____

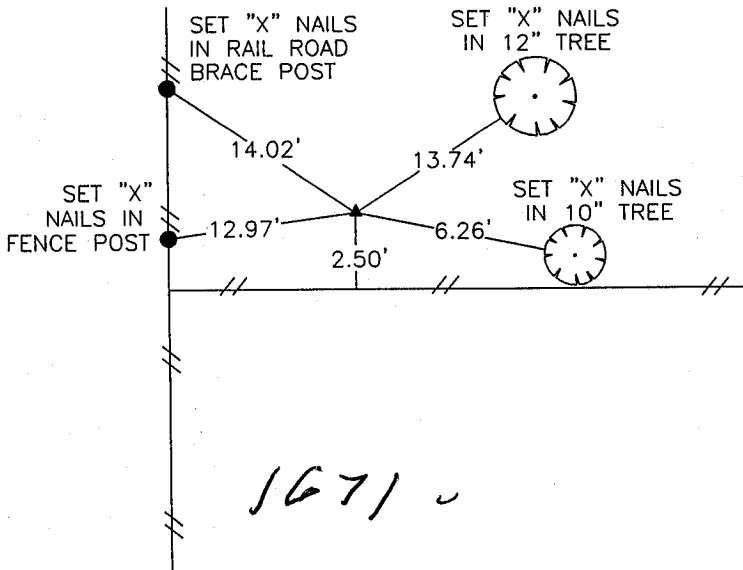
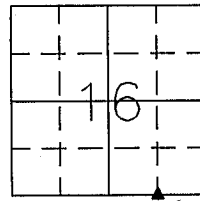
FOUND 1/2" REBAR W/YELLOW PLASTIC CAP #8165,

1' SOUTH OF FENCE AT MIDPOINT OF SOUTH LINE OF SW 1/4

NO SCALE



SW CORNER
SE 1/4 SE 1/4



844216-110204-716

PREVIOUSLY RECORDED IN BOOK _____ PAGE _____

MONUMENT DESCRIPTION AND HOW ESTABLISHED _____

SET 1/2" REBAR W/YELLOW PLASTIC CAP #9647

AT MIDPOINT OF SOUTH LINE OF SE 1/4



I hereby certify that this land surveying document and the related survey work was performed by me or under my direct personal supervision and that I am a duly licensed Land Surveyor under the laws of the State of Iowa.

Signed *[Signature]* Date *11/2/04*

Stephen Michael Brain, L.S.
My License Renewal Date is December 31, 2004
License Number 9647
Pages or sheets covered by this seal: 1/1

- A.THERE IS NO CERTIFICATE FOR THE CORNER ON FILE WITH THE RECORDER OF THE COUNTY IN WHICH THE CORNER IS LOCATED
- B.THE SURVEYOR IN RESPONSIBLE CHARGE OF THE LAND SURVEYING ACCEPTS A CORNER POSITION WHICH DIFFERS FROM THAT SHOWN IN THE PUBLIC RECORDS OF THE COUNTY IN WHICH THE CORNER IS LOCATED.
- C.THE CORNER MONUMENT IS REPLACED OR MODIFIED IN ANY WAY.
- D.THE REFERENCE TIES REFERRED TO IN AN EXISTING PUBLIC RECORD ARE NOT CORRECT.

CORNERS TO BE INDEXED			
CORNER	SECTION	TOWNSHIP	RANGE
SW CORNER	16	T84N	R4W
SE 1/4 SW 1/4			
SW CORNER			
SE 1/4 SE 1/4	16	T84N	R4W

BRAIN ENGINEERING, INC.
1540 MIDLAND COURT NE
CEDAR RAPIDS, IOWA 52402
(319) 294-9424

VS MB
11/1/04
31474-10

I