

Marie Krutzfield, Recorder
 Jones County, Iowa

Prepared by Wm. Burger LandSurveyors 510 3rd Street West Court, Worthington, Iowa Phone 563 - 855 2028

UNITED STATES PUBLIC LAND SURVEY CORNER CERTIFICATE

Land Survey Monuments situated in Section 7, Township 86N, Range 3W, of the Fifth Principal Meridian, Jones County, Iowa. Previously recorded in N/A in the Office of the County Recorder

Monument Description and Remarks: (No Corner Certificates found at the County Recorders Office)

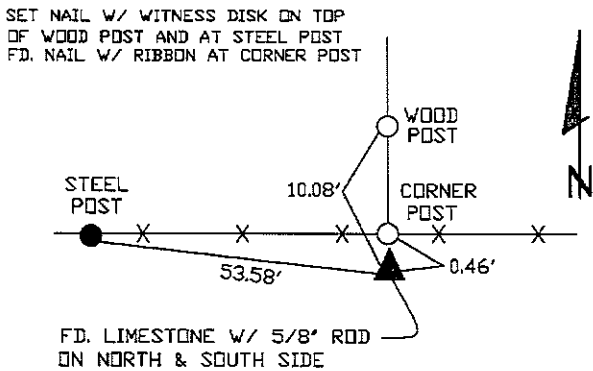
NE CORNER - FOUND LIMESTONE WITH 5/8" IRON ROD ON NORTH & SOUTH SIDE OF LIMESTONE

SE CORNER NE1/4 NE1/4 - SET 1/2" IRON ROD W/YELLOW LS CAP #12642 - SET ON LINE AND MIDWAY BETWEEN THE E1/4 CORNER AND THE NE CORNER

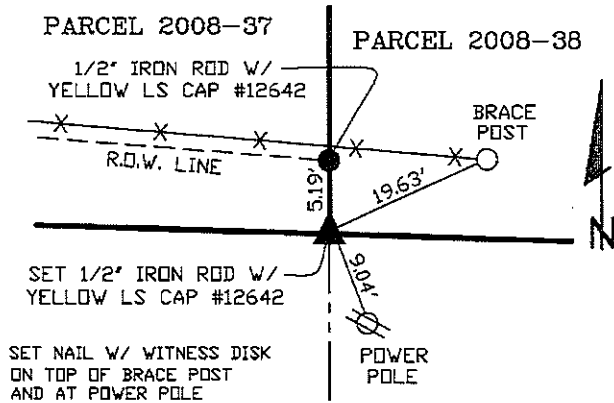
SW CORNER NE1/4 NE1/4 - SET 1/2" IRON ROD W/YELLOW LS CAP #12642 - RUN STRAIGHT LINES FROM OPPOSITE 1/4 1/4 SECTION CORNERS AND SET AT THE POINT OF INTERSECTION

PLAN VIEW

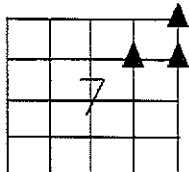
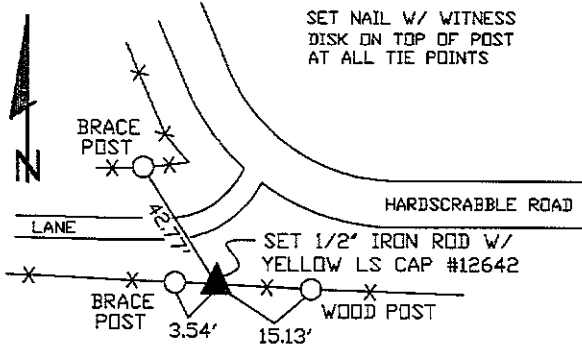
NE CORNER



SE CORNER NE1/4 NE1/4



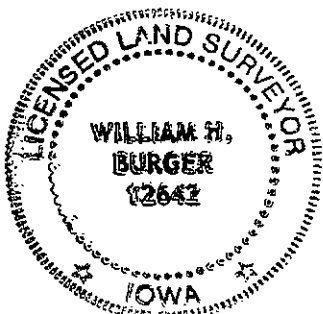
SW CORNER NE1/4 NE1/4



SEC. 7 TWP. 86N RANGE 3W

CORNERS TO BE INDEXED

NE CORNER	7	86N	3W
SE CORNER NE1/4 NE1/4	7	86N	3W
SW CORNER NE1/4 NE1/4	7	86N	3W



I hereby certify that this land surveying document was prepared and related survey work was performed by me or under my direct personal supervision and that I am a duly licensed Land Surveyor under the laws of the State of Iowa.

William H. Burger 5/02/08
 William H. Burger Date

License number 12642

My license renewal date is December 31, 2008

Pages or Sheets covered by this seal: Sheet 1 of 1

Lowell

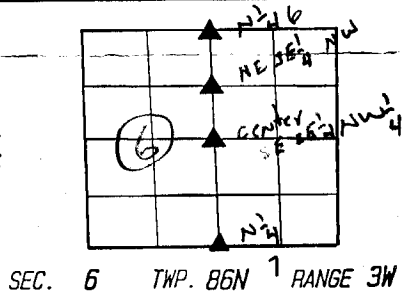
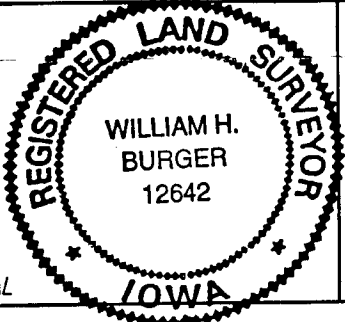
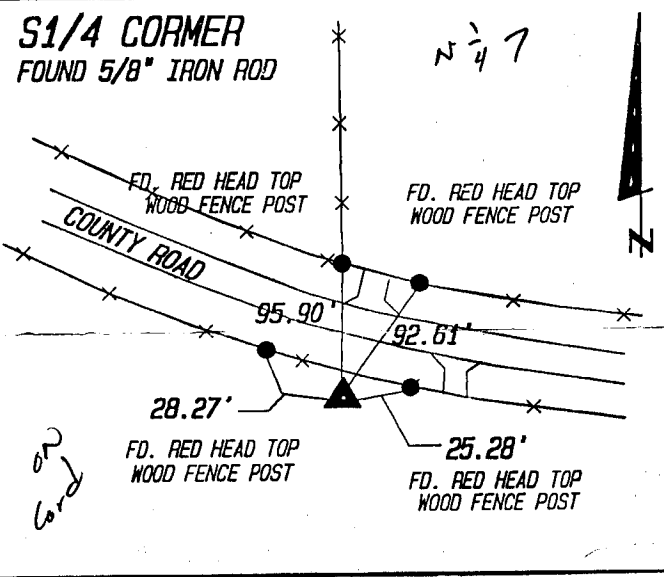
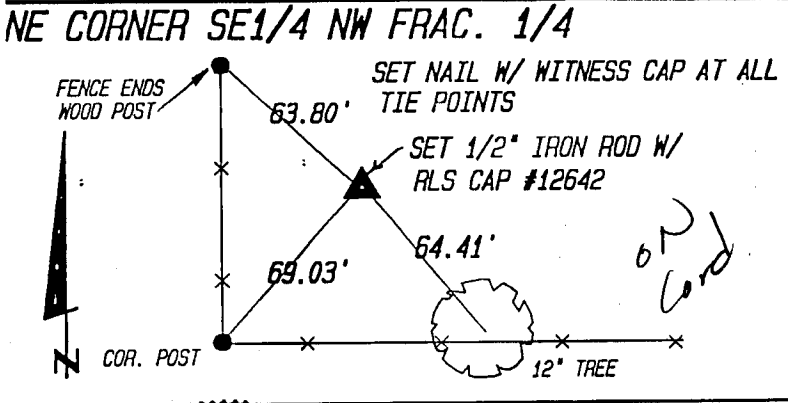
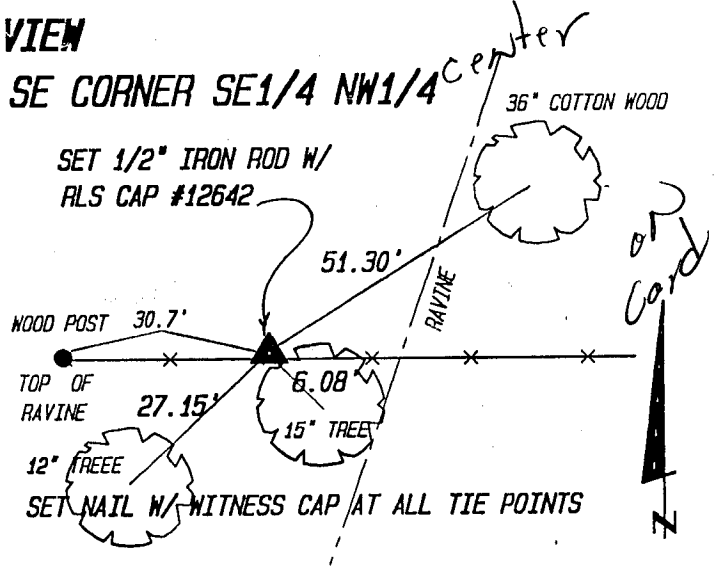
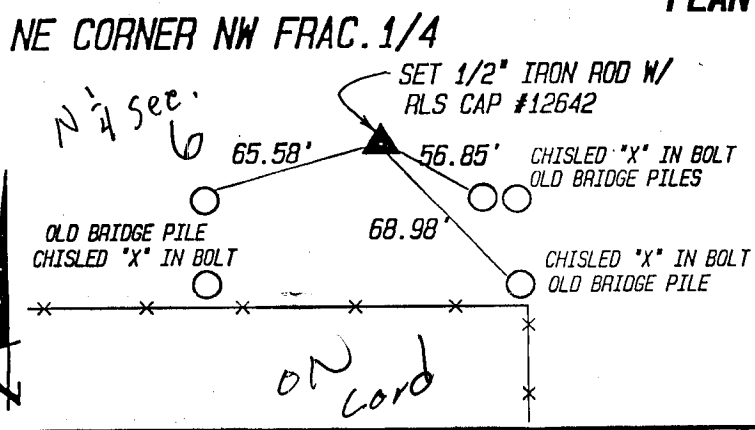
UNITED STATES PUBLIC LAND SURVEY CORNER CERTIFICATE

Land Survey Monuments situated in Section 6, Township 86N, Range 3W, of the Fifth Principal Meridian, Jones County, Iowa. Previously recorded in NA in County Recorder's Office.

Monument Description and Remarks: (No Corner Certificates found at the County Recorders Office)

- S1/4 CORNER USED 1985 TIES FOUND AT ENGINEERS OFFICE FOUND 5/8" IRON ROD
- SE CORNER SE1/4 NW FRAC. 1/4 RUN STRAIGHT LINES FROM OPPOSITE 1/4 CORNERS AND SET 1/2" IRON ROD W/RLS CAP AT SAID POINT OF INTERSECTION
- NE CORNER SE1/4 NW FRAC. 1/4 SET 1/2" IRON ROD W/RLS CAP #12642 ON LINE AND MID WAY BETWEEN CENTER OF SECTION AND THE N1/4 CORNER
- NE CORNER NW FRAC. 1/4 SET 1/2" IRON ROD W/RLS CAP #12642 AT PROPORTIONATE DISTANCE FROM NE CORNER OF SAID SECTION 6 ON LINE WITH NW CORNER AND THE NE CORNER OF SAID SECTION 6

PLAN VIEW



I hereby certify that this land surveying document was prepared and related survey work was performed by me or under my direct personal supervision and that I am a duly licensed Land Surveyor under the laws of the State of Iowa.

William H. Burger 2/18/97
William H. Burger Date
License number 12642

My license renewal date is December 31, 1998
Pages or Sheets covered by this seal: Sheet 1 of 1

CORNERS TO BE INDEXED

Corner	Section	Twp	Range
S1/4	6	86N	3W
SE COR. SE1/4 NW1/4	6	86N	3W
NE COR. SE1/4 NW1/4	6	86N	3W
NE COR. NW1/4	6	86N	3W

COPY

86306c-021897
86306h-021897
86306m-021897
66307c-021897