

Instrument #: 2019-0347
 02/01/2019 12:03:54 PM Total Pages: 1
 ZSC SECTION CORNER CERTIFICATE
 Recording Fee: \$7.00 Transfer Tax: \$0
 Sheri L. Jones, Recorder, Jones County Iowa



RETURN TO &

PREPARED BY: LEO P. BONIFAZI SCHNOOR-BONIFAZI ENGINEERING & SURVEYING LC, 431 FIFTH AVENUE SW, CEDAR RAPIDS, IA 52404 319-298-8888

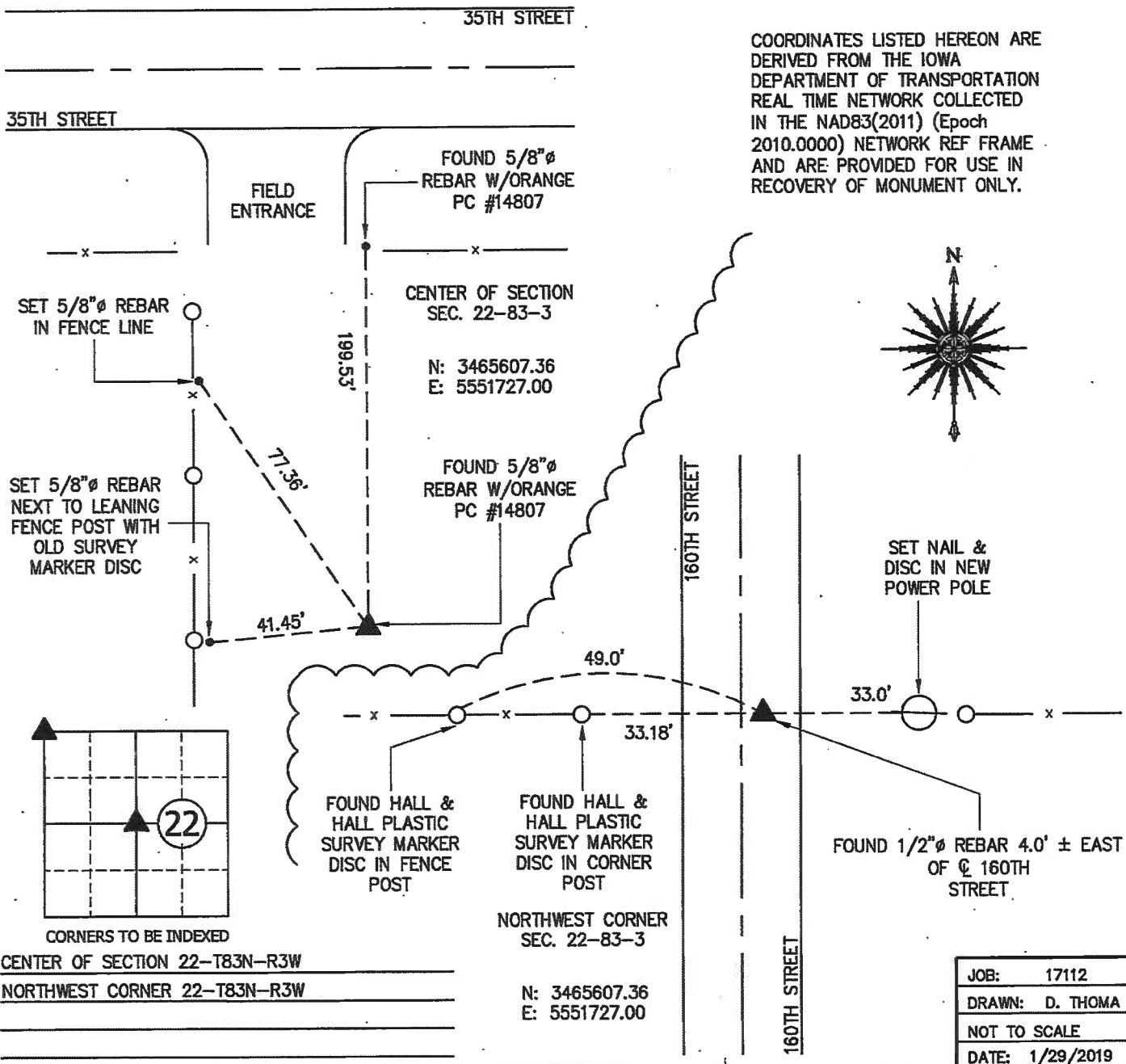
UNITED STATES PUBLIC LAND SURVEY CORNER CERTIFICATE

Land Survey Monuments Situated in Section 22, Township 83 North, Range 3 West of the Fifth Principal Meridian, JONES County, Iowa.

Reason for filing: a. No certificate of record found. b. Monument or ties found differ from record. c. Replaced section corner.

NORTHWEST CORNER - FOUND A 1/2"Ø REBAR 6" DEEP USING PREVIOUS CORNER CERTIFICATE RECORDED AS DOCUMENT # 2003 1078 AT THE COUNTY RECORDER'S OFFICE FOR THE SOUTHEAST QUARTER CORNER OF 16-83-3. FOUND TWO REFERENCE TIES REMAINING SET ONE ADDITIONAL IN NEW POWER POLE AS SHOWN BELOW.

CENTER OF SECTION - FOUND A 1/2"Ø REBAR WITH A ORANGE PLASTIC CAP #14807 USING THE PREVIOUS CORNER CERTIFICATE RECORDED AS DOCUMENT # 2003 0502 AND PLATS OF SURVEY RECORDED IN PLAT BOOK P PAGE 15 (DOCUMENT 2002 4663 - PARCEL 2002-120) AND IN PLAT BOOK T PAGE 243 AT THE COUNTY RECORDER'S OFFICE. FOUND ONE REFERENCE TIE IN POOR CONDITION SO THREE ADDITIONAL REFERENCE TIES WERE SET AS SHOWN BELOW.



I HEREBY CERTIFY THAT THIS LAND SURVEYING DOCUMENT WAS PREPARED AND THE RELATED SURVEY WORK WAS PERFORMED BY ME OR UNDER MY DIRECT PERSONAL SUPERVISION AND THAT I AM A DULY LICENSED PROFESSIONAL LAND SURVEYOR UNDER THE LAWS OF THE STATE OF IOWA.

SIGNATURE: *Leo P. Bonifazi* DATE: 1.28.19

LEO P. BONIFAZI
 LICENSE NO. 13480

SHEETS COVERED BY THIS SEAL: THIS SHEET ONLY

MY LICENSE RENEWAL DATE IS DECEMBER 31, 2019

SCHNOOR-BONIFAZI ENGINEERING & SURVEYING, LC
 431 FIFTH AVENUE SW
 CEDAR RAPIDS, IA 52404
 (319) 298-8888 (PHONE)

Schnoor Bonifazi
 Engineering & Surveying

s-b-engineering.com

2003 0502

FILED
RECORDERS OFFICE
JONES COUNTY IOWA

03 FEB -3 PM 2:49

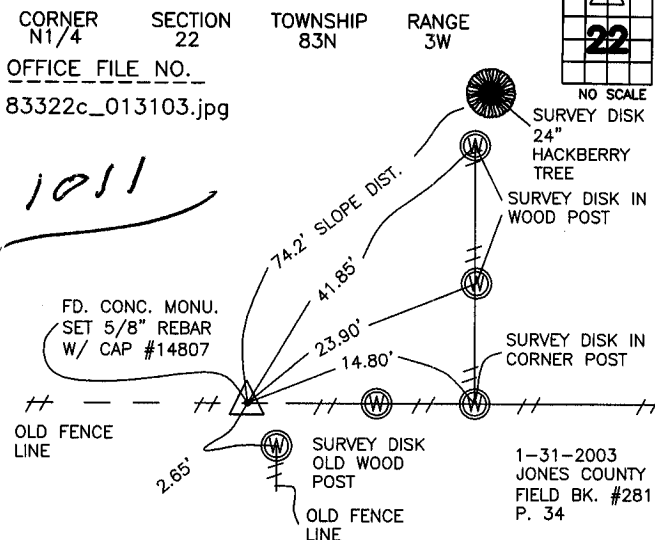
MARIE KRUTZFIELD
RECORDER ~~NO FEE~~

J.D. TJEPKES, LS. JONES COUNTY ENGINEER'S OFFICE, 19501 HWY. 64, ANAMOSA, IOWA, 52205 (319)462-3785

UNITED STATES PUBLIC LAND SURVEY CORNER CERTIFICATE

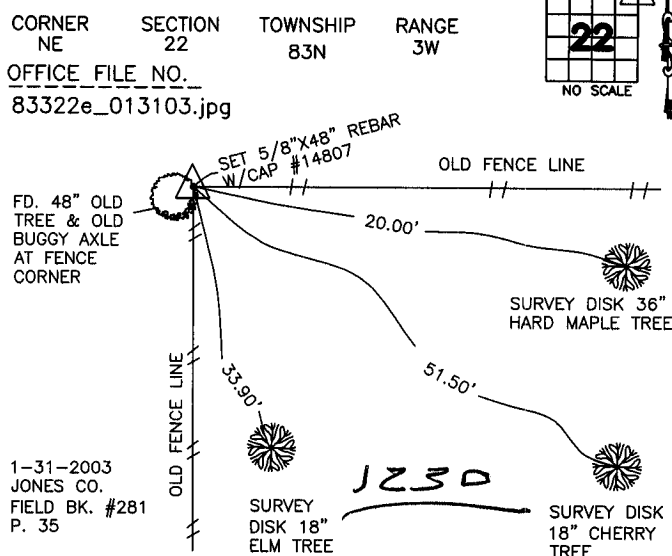
LAND SURVEY MONUMENTS SITUATED IN SECTION 22, TOWNSHIP 83
NORTH, RANGE 3 WEST OF THE 5TH P.M., JONES COUNTY, IOWA

CORNERS TO BE INDEXED



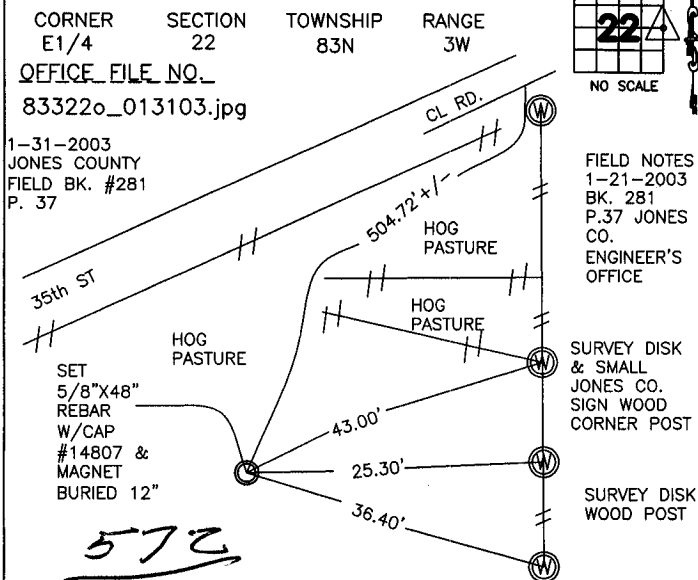
PREVIOUSLY RECORDED IN BOOK NA, PAGE NA
MONUMENT DESCRIPTION AND HOW ESTABLISHED
FROM 1936 TIES RECORDED AT JONES COUNTY ENGINEERS OFFICE FD. CONCRETE MONUMENT UNDER FENCE LINE. SET 5/8"x48" REBAR W/ CAP #14807 ON EAST SIDE OF MONU. TOP OF REBAR 6" ABOVE GROUND LEVEL. SET SMALL JONES COUNTY SIGN ALONG SIDE OF MONU. N1/4 SECTION 22 T83N R3W. REFERENCE TIES AS INDICATED.

CORNERS TO BE INDEXED



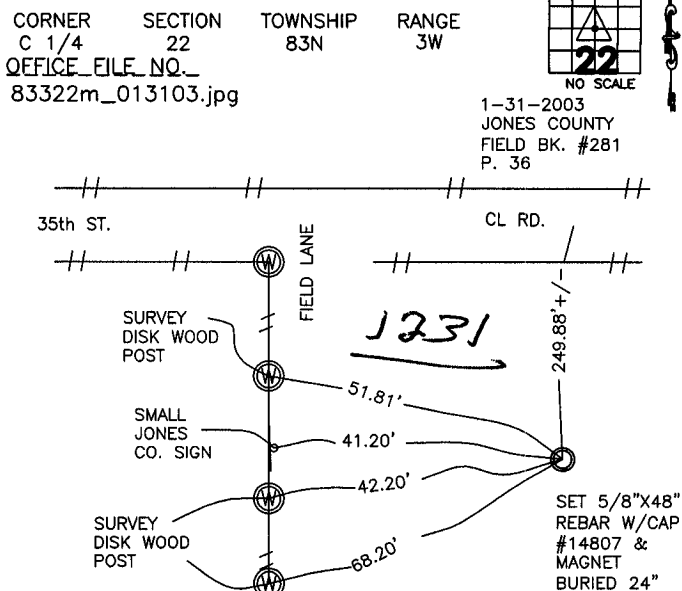
PREVIOUSLY RECORDED IN BOOK NA, PAGE NA
MONUMENT DESCRIPTION AND HOW ESTABLISHED
FD. OLD FENCE CORNER & OLD BUGGY AXLE AT LOCATION OF CORNER. BEST EVIDENCE OF CORNER. SET 5/8"x48" REBAR W/ CAP #14807 IN LINE WITH FENCES GOING EAST & SOUTH. SET SMALL JONES CO. SIGN ALONG SIDE OF REBAR. SET REFERENCE TIES AS INDICATED. NE CORNER SECTION 22 T83N R3W.

CORNERS TO BE INDEXED



PREVIOUSLY RECORDED IN BOOK NA, PAGE NA
MONUMENT DESCRIPTION AND HOW ESTABLISHED
FROM PROPORTION OF SECTION LINES NORTH & SOUTH SET 5/8"x48" REBAR W/CAP #14807 AND MAGNET AT E 1/4 SECTION 22 T83N R3W. BURIED 12" IN FIELD. SEE PLAT OF SURVEY #2002-120 RECORDED AT JONES COUNTY RECORDERS OFFICE DOCUMENT #2002-4663. REFERENCE TIES AS INDICATED.

CORNERS TO BE INDEXED



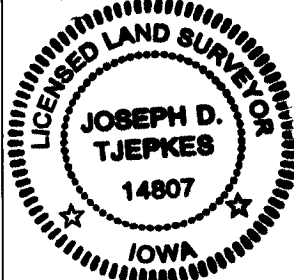
PREVIOUSLY RECORDED IN BOOK NA, PAGE NA
MONUMENT DESCRIPTION AND HOW ESTABLISHED
PER BREAKDOWN OF SECTION 22 T83N R3W PER PLAT OF SURVEY PARCEL #2002-120, SET 5/8"x48" REBAR W/CAP #14807 & MAGNET BURIED 24" IN CULTIVATED FIELD.

I hereby declare that this plat, survey or report was made by me or under my direct personal supervision and that I am a duly registered Land Surveyor under the laws of the State of Iowa.

Signed:

Joseph D. Tjepkes 2003-05
Joseph D. Tjepkes L.S. Iowa Reg. No. 14807
My Registration Renewal Date is December 31, 2004

SEAL



J.D. TJEPKES LS 14807
JONES COUNTY
ENGINEER'S OFFICE

19501 HWY. 64,
ANAMOSA, IOWA,
52205 (319)462-3785