

Instrument #: 2017-0693

03/17/2017 10:53:07 AM Total Pages: 1

ZSC SECTION CORNER CERTIFICATE

Recording Fee: \$7.00 Transfer Tax: \$0  
Sheri L. Jones, Recorder, Jones County Iowa



PREPARED BY

STEPHEN MICHAEL BRAIN, BRAIN ENGINEERING, INC., 1540 MIDLAND COURT NE, CEDAR RAPIDS, IOWA PH. (319) 294-9424

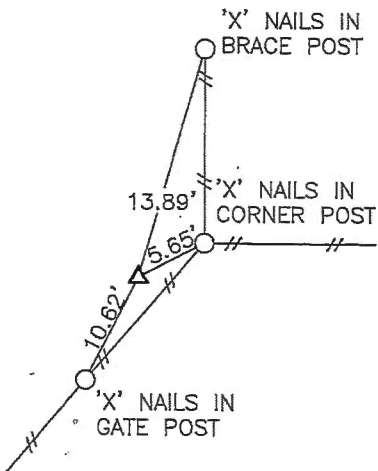
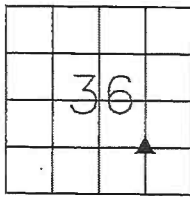
# UNITED STATES PUBLIC LAND SURVEY CORNER CERTIFICATE

LAND SURVEY MONUMENTS SITUATED IN SECTION 36, TOWNSHIP 85 NORTH  
RANGE 2 WEST OF THE 5TH P.M., JONES COUNTY, IOWA.

NO SCALE



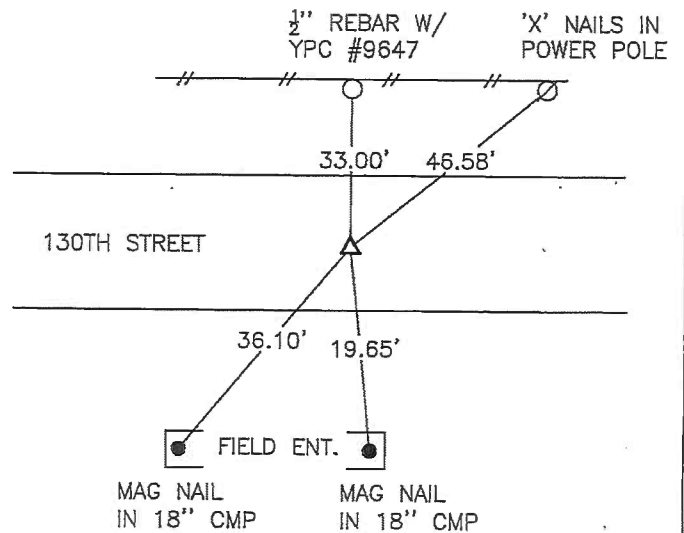
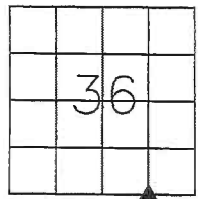
NE CORNER SW 1/4 SE 1/4



NO SCALE



SE CORNER SW 1/4 SE 1/4



PREVIOUSLY RECORDED IN BOOK \_\_\_\_\_ PAGE \_\_\_\_\_

MONUMENT DESCRIPTION AND HOW ESTABLISHED:

SET 1/2" REBAR WITH YELLOW PLASTIC CAP #9647 AT THE CENTER OF SE 1/4 OF SECTION 36, BY THE INTERSECTION OF THE N, S, E AND W MIDPOINTS OF THE SE 1/4.

PREVIOUSLY RECORDED IN BOOK \_\_\_\_\_ PAGE \_\_\_\_\_

MONUMENT DESCRIPTION AND HOW ESTABLISHED:

SET 1/2" REBAR WITH YELLOW PLASTIC CAP #9647 AT THE MIDPOINT ON THE LINE BETWEEN S 1/4 CORNER AND SE CORNER OF SECTION 36.



I hereby certify that this land surveying document and the related survey work was performed by me or under my direct personal supervision and that I am a duly licensed Land Surveyor under the laws of the State of Iowa.

Signed: *[Signature]* Date: 3/15/17  
Stephen Michael Brain, L.S.  
My License Renewal Date is December 31, 2018  
License Number 9647

Pages or sheets covered by this seal: 1/1

- A.THERE IS NO CERTIFICATE FOR THE CORNER ON FILE WITH THE RECORDER OF THE COUNTY IN WHICH THE CORNER IS LOCATED
- B.THE SURVEYOR IN RESPONSIBLE CHARGE OF THE LAND SURVEYING ACCEPTS A CORNER POSITION WHICH DIFFERS FROM THAT SHOWN IN THE PUBLIC RECORDS OF THE COUNTY IN WHICH THE CORNER IS LOCATED.
- C.THE CORNER MONUMENT IS REPLACED OR MODIFIED IN ANY WAY.
- D.THE REFERENCE TIES REFERRED TO IN AN EXISTING PUBLIC RECORD ARE NOT CORRECT.

CORNERS TO BE INDEXED

CORNER	SECTION	TOWNSHIP	RANGE
NE CORNER	36	T85N	R2W
SW 1/4 SE 1/4			
SE CORNER	36	T85N	R2W
SW 1/4 SE 1/4			

BRAIN ENGINEERING, INC.

1540 MIDLAND COURT NE  
CEDAR RAPIDS, IOWA 52402  
(319) 294-9424

284917-20

MAB 3/15/17