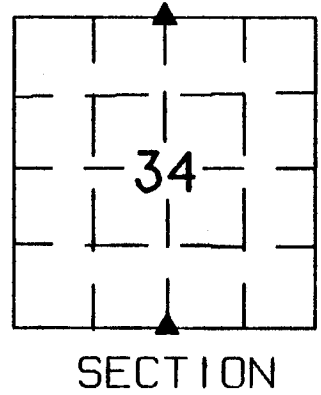
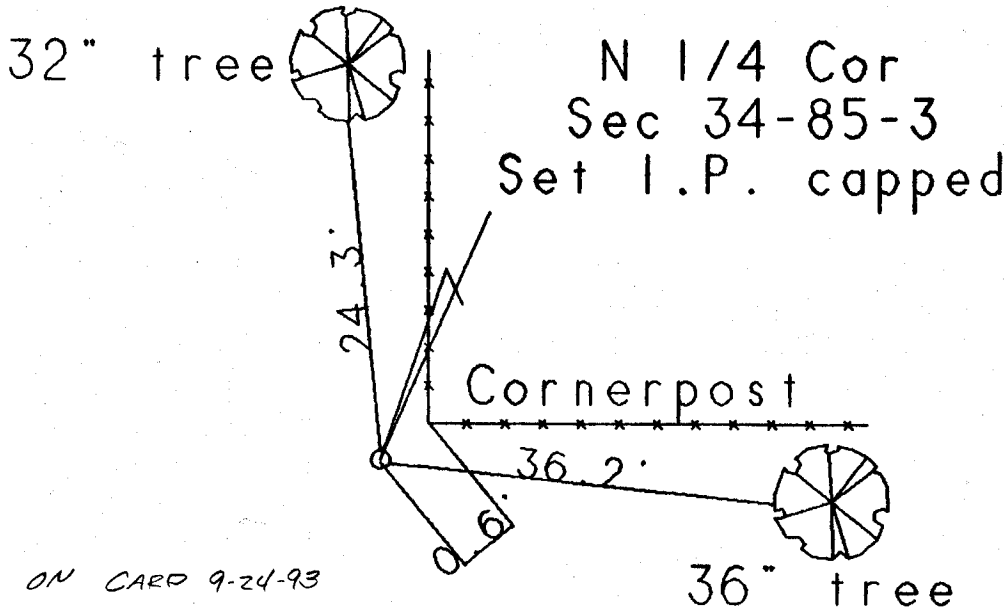
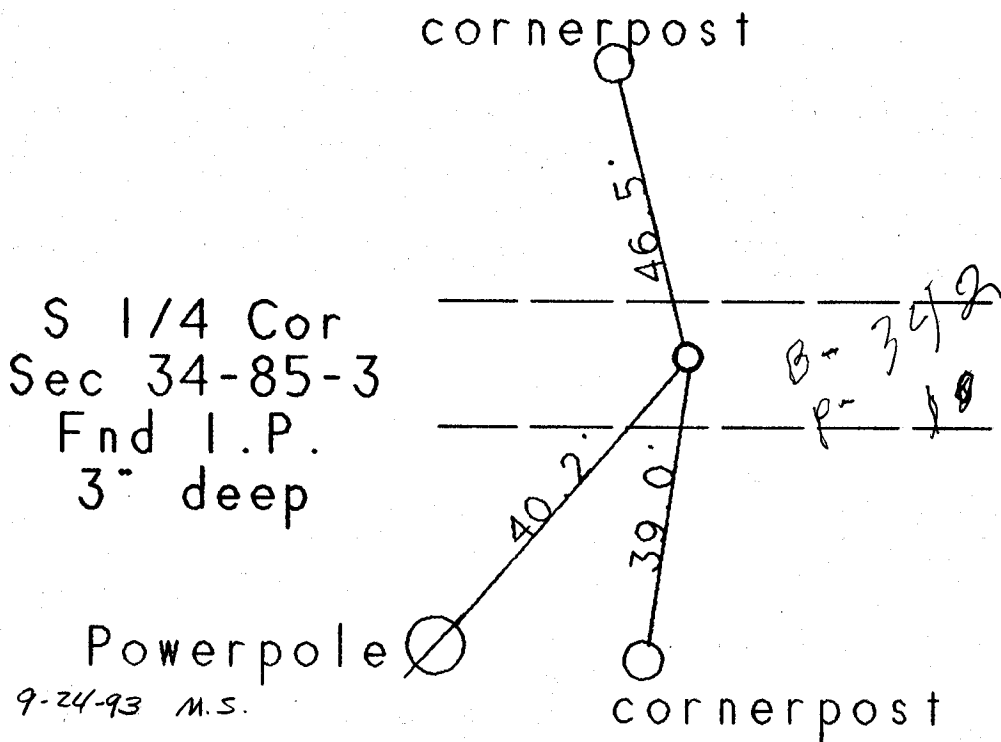
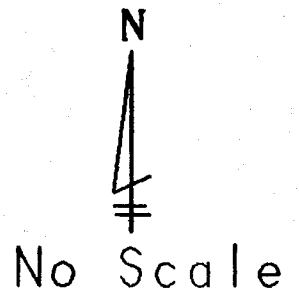


# United States Public Land Survey Corner Certificate

Land survey corner in Section 34  
 Township 85 N Range 3 West in  
Jones County, Iowa.



ON CARD 9-24-93



ON CARD 9-24-93 M.S.

### Certification

I hereby certify that this plot and survey was made by me or under my direct supervision and that I am a duly Registered Land Surveyor under the laws of the State of Iowa.

Harold E. Dillon 7/17/93  
 Harold E. Dillon Reg.#6581 date

85334c-071793, 85334w-071793