

RECEIVED

JUL 10 2009

JONES COUNTY ENGINEER

PREPARED BY
STEPHEN MICHAEL BRAIN, BRAIN ENGINEERING, INC., 1540 MIDLAND COURT NE, CEDAR RAPIDS, IOWA PH. (319) 294-9424

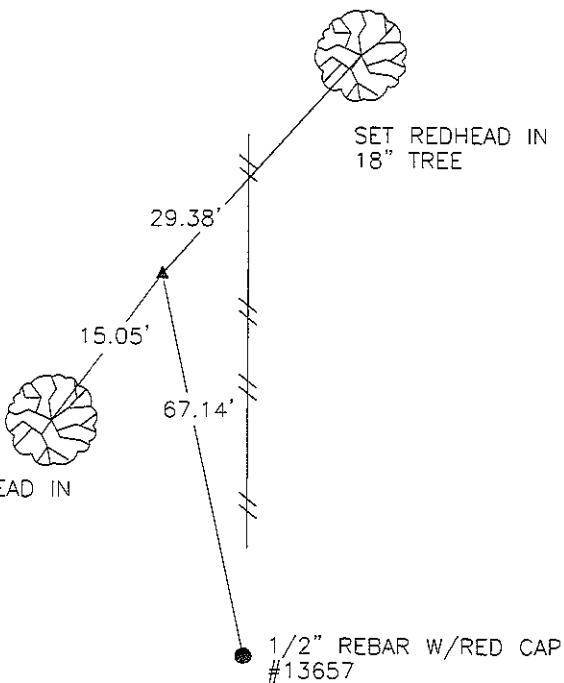
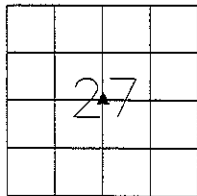
UNITED STATES PUBLIC LAND SURVEY CORNER CERTIFICATE

LAND SURVEY MONUMENTS SITUATED IN SECTION 27, TOWNSHIP 84 NORTH
RANGE 1 WEST OF THE 5TH P.M., _____ JONES _____ COUNTY, IOWA.

NO SCALE



CENTER

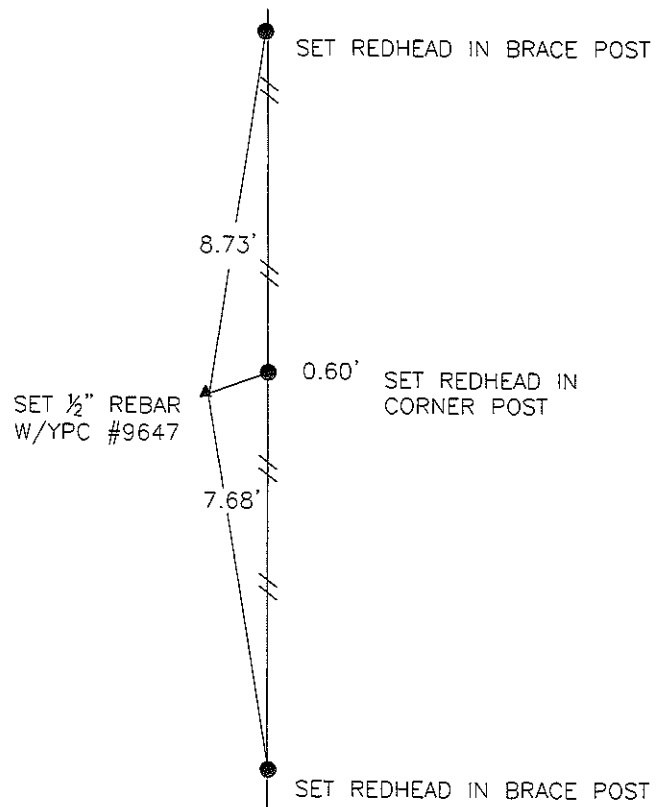
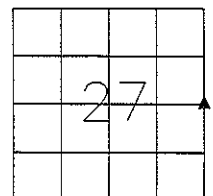


PREVIOUSLY RECORDED IN FEEBOOK 2007 2887
MONUMENT DESCRIPTION AND HOW ESTABLISHED _____
SET 1/2" REBAR W/YELLOW PLASTIC CAP #9647 AT
INTERSECTION OF 1/4 CORNERS OF SECTION 27

NO SCALE



E 1/4 CORNER



PREVIOUSLY RECORDED IN BOOK _____ PAGE _____
MONUMENT DESCRIPTION AND HOW ESTABLISHED _____
SET 1/2" REBAR W/YELLOW PLASTIC CAP #9647 AT
FENCE CORNER, BEST EVIDENCE AVAILABLE



I hereby certify that this land surveying document and the related survey work was performed by me or under my direct personal supervision and that I am a duly licensed Land Surveyor under the laws of the State of Iowa.
Signed *Stephen Michael Brain* Date 7/8/09
Stephen Michael Brain, L.S.
My License Renewal Date is December 31, 2010
License Number 9647
Pages or sheets covered by this seal: 1/1

- A. THERE IS NO CERTIFICATE FOR THE CORNER ON FILE WITH THE RECORDER OF THE COUNTY IN WHICH THE CORNER IS LOCATED
- B. THE SURVEYOR IN RESPONSIBLE CHARGE OF THE LAND SURVEYING ACCEPTS A CORNER POSITION WHICH DIFFERS FROM THAT SHOWN IN THE PUBLIC RECORDS OF THE COUNTY IN WHICH THE CORNER IS LOCATED.
- C. THE CORNER MONUMENT IS REPLACED OR MODIFIED IN ANY WAY.
- D. THE REFERENCE TIES REFERRED TO IN AN EXISTING PUBLIC RECORD ARE NOT CORRECT.

| CORNERS TO BE INDEXED | | | |
|-----------------------|---------|----------|-------|
| CORNER | SECTION | TOWNSHIP | RANGE |
| CENTER | 27 | T84N | R1W |
| E 1/4 CORNER | 27 | T84N | R1W |

BRAIN ENGINEERING, INC.

1540 MIDLAND COURT NE
CEDAR RAPIDS, IOWA 52402 407409-10
(319) 294-9424